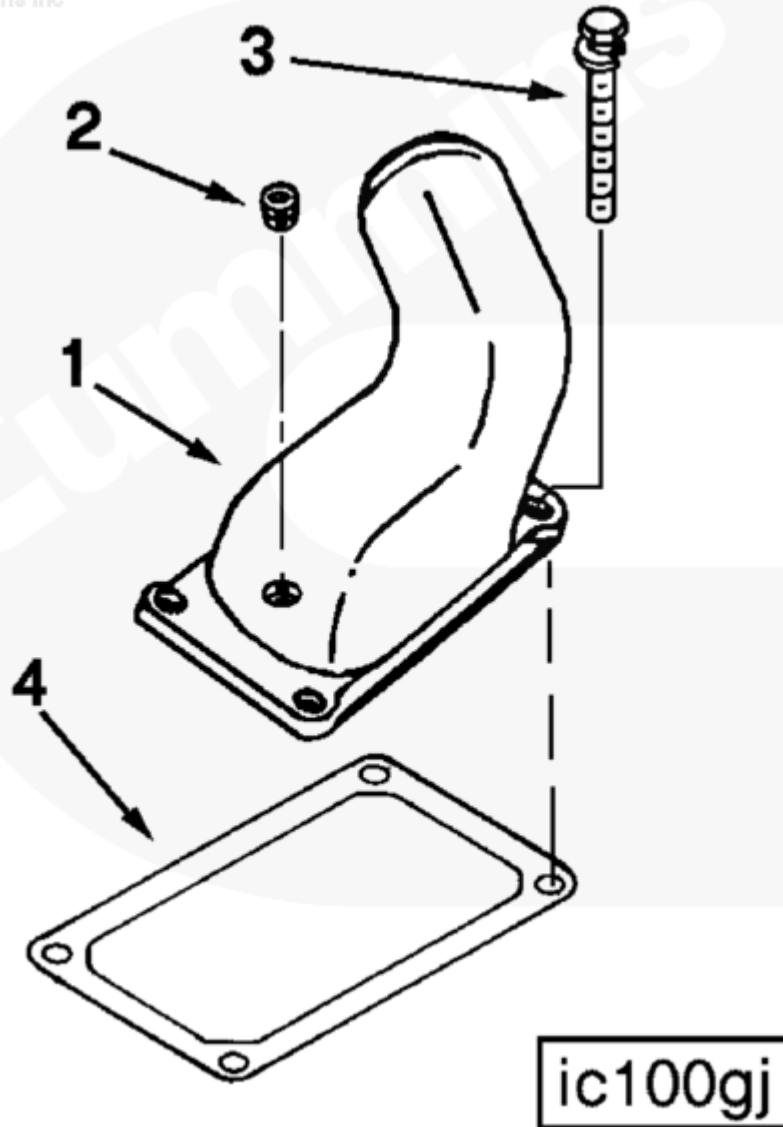




Parts Catalog - Option Detail

Electronic Parts Catalog - Option Detail				
Option	Group	Graphic	Film Card	Date
IC1022	10.01.2	ic100gj	F	15-JAN-91
Engines	NH/NT 855, NT495, NT743, NTA855 N106			

©Cummins Inc



[SMALL](#) | [MEDIUM](#) | [LARGE](#)

Cart	Ref No	Part Number	Part Description	Required	Remarks
View My Cart					
		IC1022	Air Inlet Connection		5.5inch (140mm) outside...(More)

					diameter air intake
					connection with axis of inlet
					at 60degrees to longitudinal
					axis of mounting flange. When
					mounted on top of manifold
					points across engine and
					slightly to rear. When
					mounted on side of manifold
					points up and slightly to
					rear. Used with engine
					mounted air cleaners.
					Naturally aspirated models
					only.
<input type="checkbox"/>	1	155250	Air Intake Connection	1	
<input type="checkbox"/>	2	3008470	Pipe Plug	1	1 NPT.
<input type="checkbox"/>	3	3011715	Captive Washer Cap Screw	4	3/8 - 16 X 1 3/16 in.
<input type="checkbox"/>	4	3012972	Intake Manifold Gasket	1	